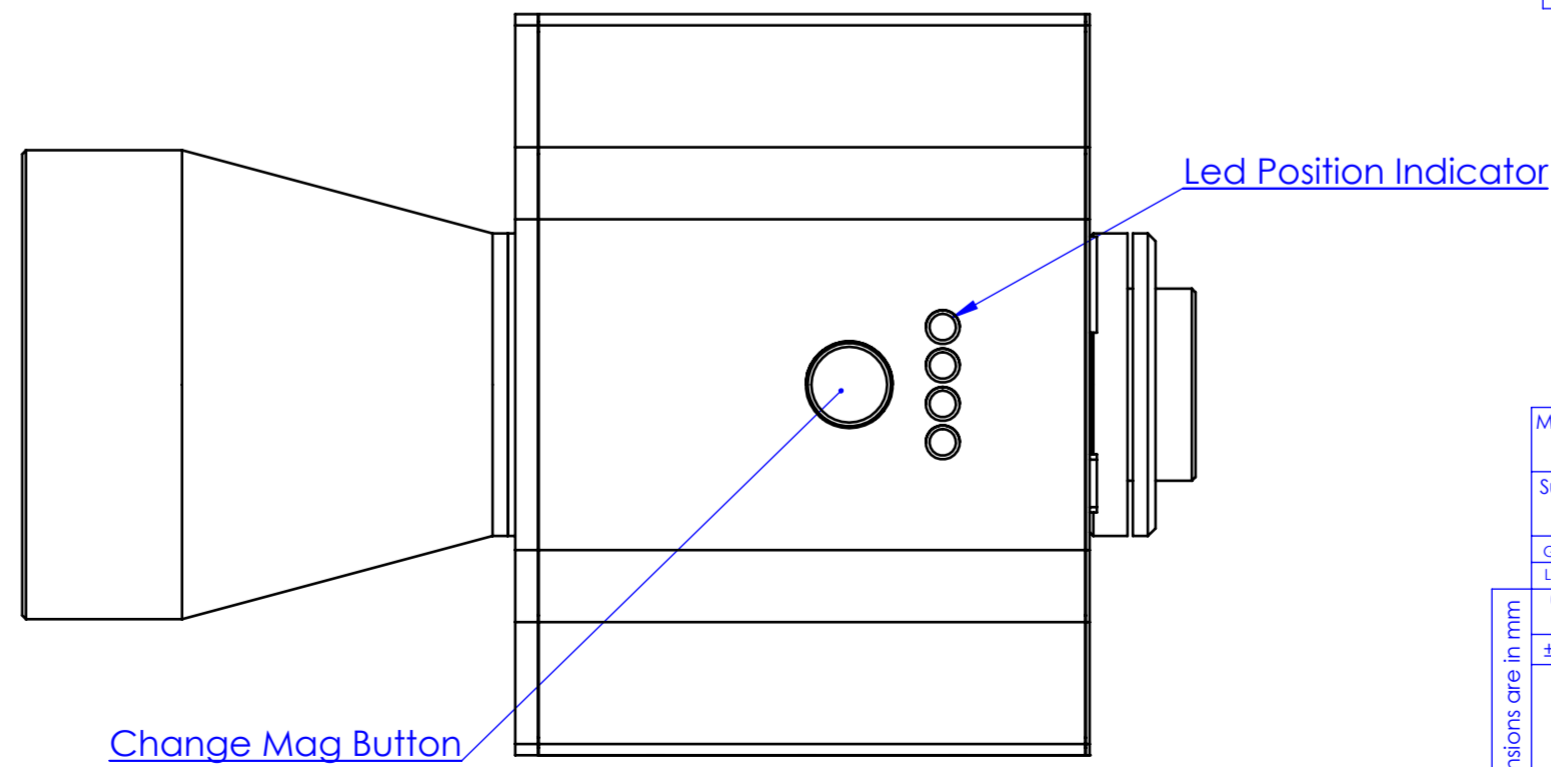
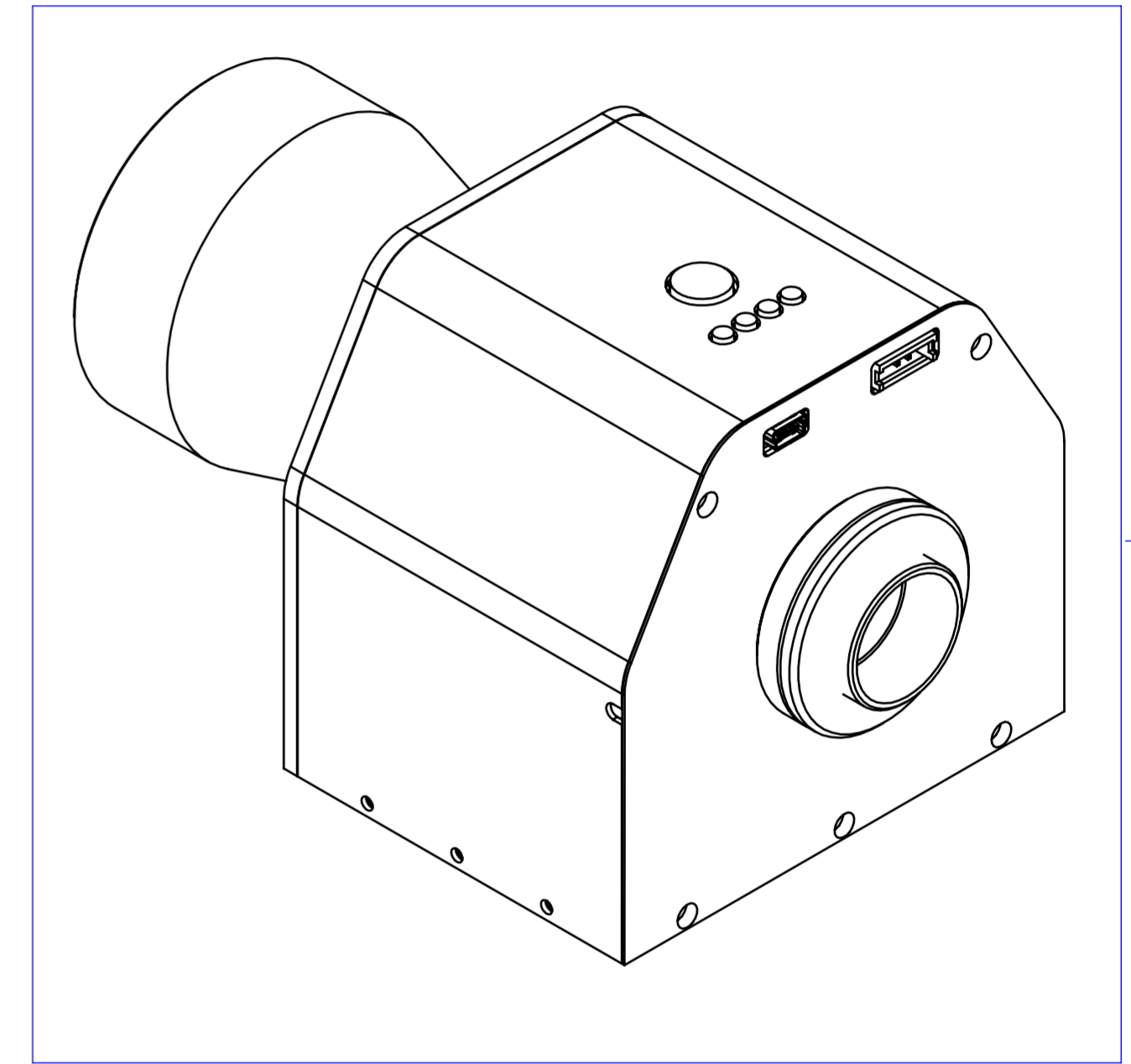
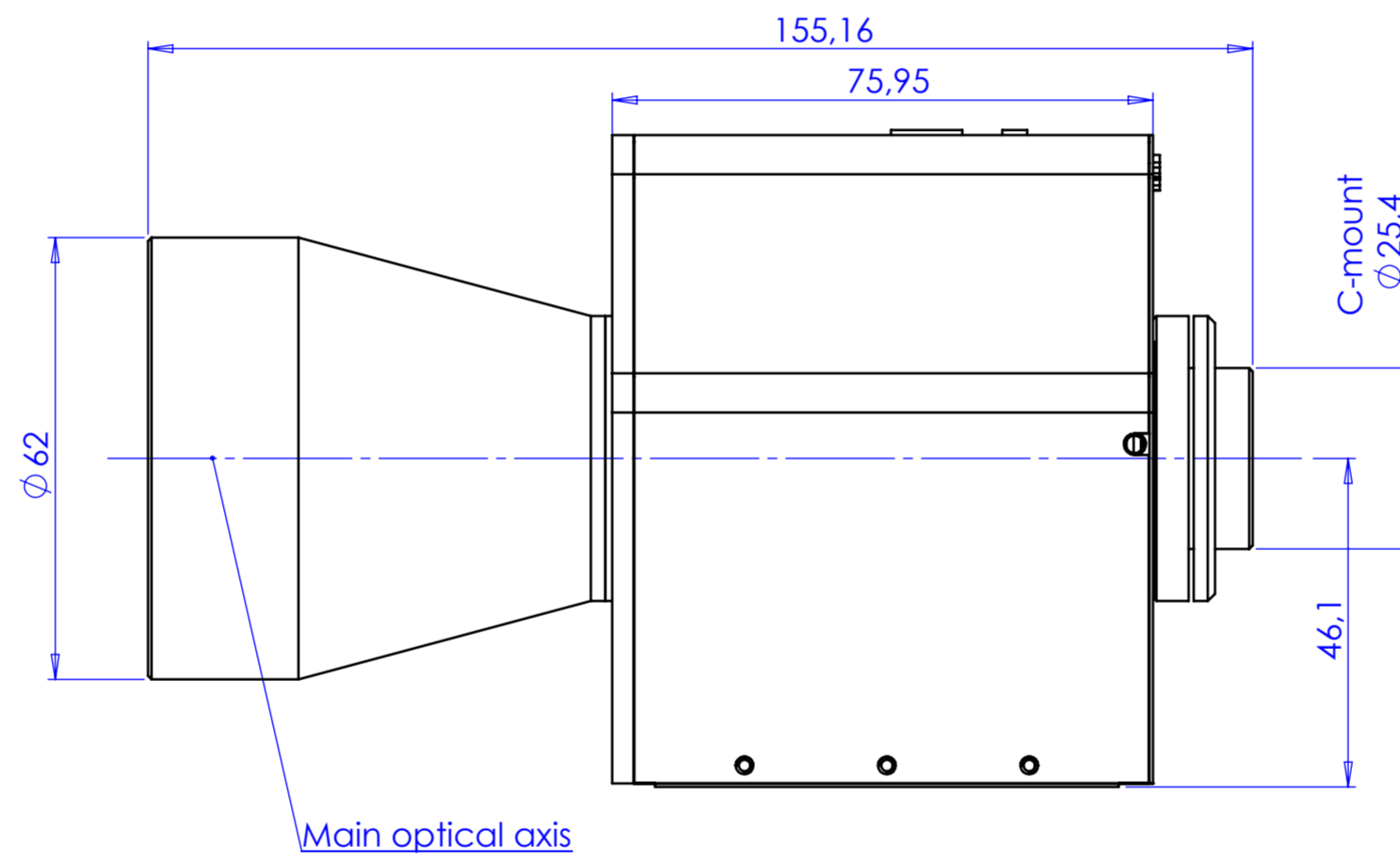
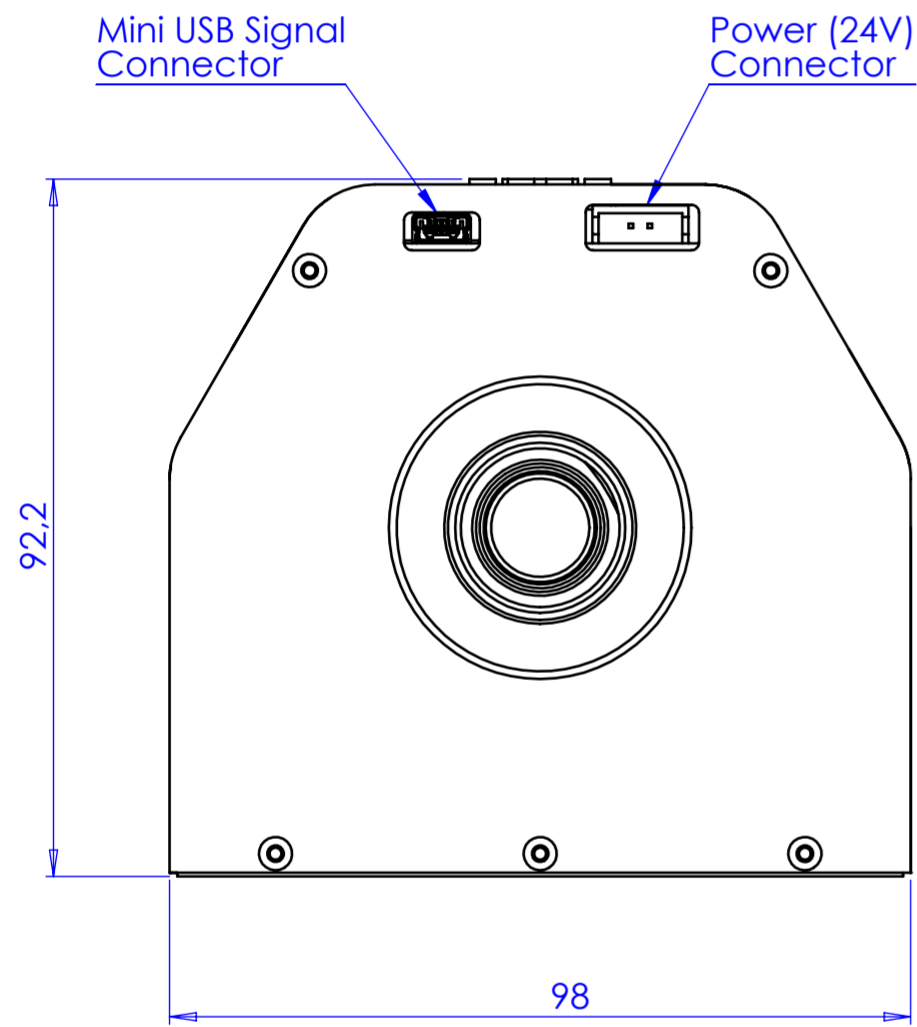
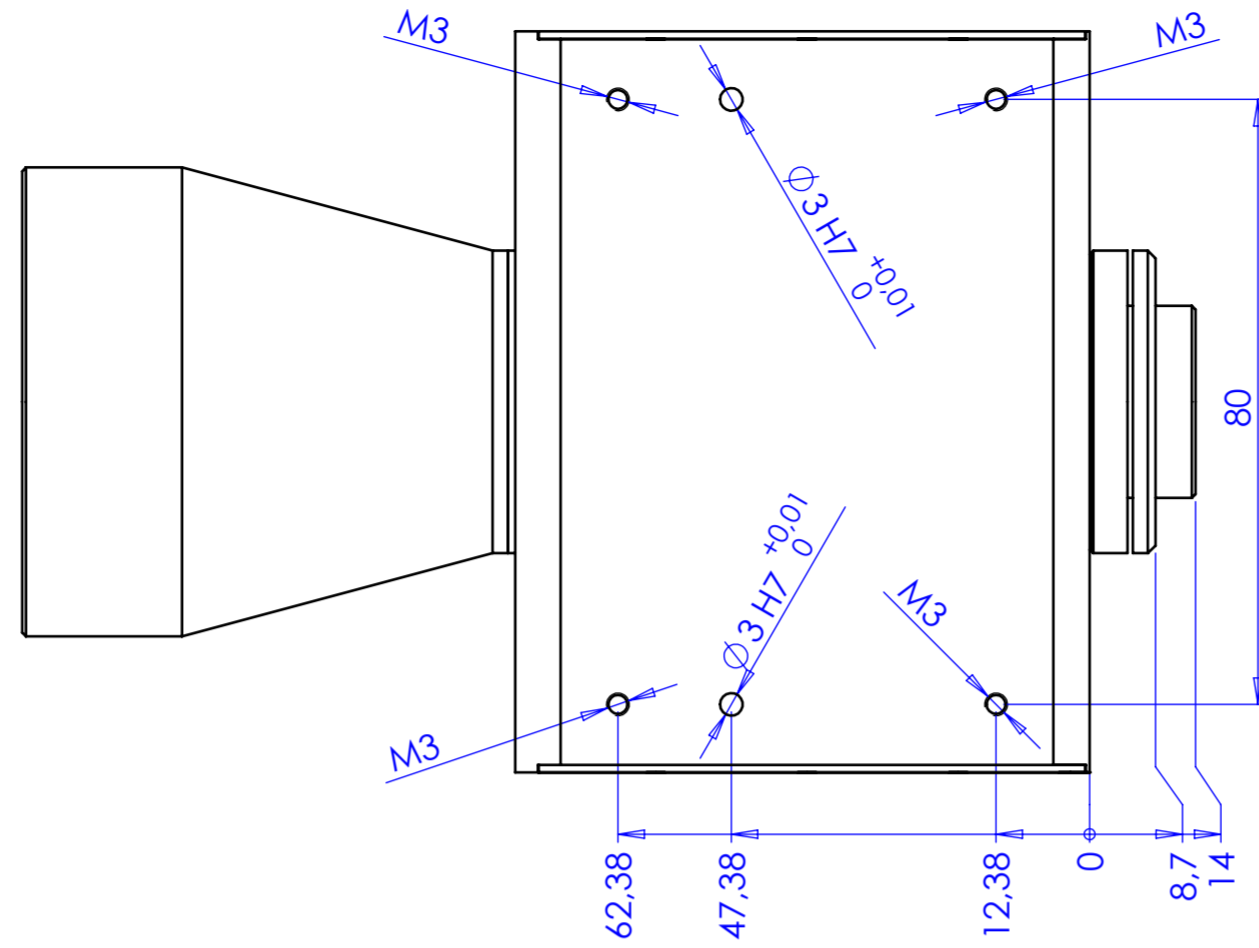


Rev No.	Description	Date	Name



Material		Mass	g	Scale	1:1						
Surface treatment	N.A.	Part No.	CO21122								
Geometrical tolerance (ISO 2768-2)	Class	K	Undimensioned bevels	0.5x45°	Description						
Linear tolerance (ISO 2768-2)	Class	m	Undimensioned radii	R 0.5	MCZR025-006						
0.5	>3+	>6+	>30+	>120	>400+	>1000	>2000	>4000		Drawing No.	Sheet
+3	6	30	120	+400	1000	+2000	+4000	±2	DP 21122-A	1/1	
+0.1	±0.1	±0.2	±0.3	±0.5	±0.8	±1.2					
 OPTO ENGINEERING S.r.l. - Mantova Italy - Tel. +39 0376 699111 - www.opto-engineering.com	Designed	03/09/2014	Santini	Date	Name						
	Drawn	19/03/2015	Rodella								
	Checked										
Secret and confidential - All rights reserved - No copy, dissemination or circulation is allowed unless specifically authorized in writing by OPTO ENGINEERING S.r.l. - Any violation shall be legally prosecuted.											